

Standardised centrifugal electric pumps built in stainless steel AISI 304

## APPLICATIONS

- Water supply to civil, agricultural and industrial plants
- Pressure boosting
- Fire-fighting, heating and air conditioning systems
- Pumping industrial liquids
- Irrigation
- Refrigeration towers
- Swimming pools
- Emptying
- Washing plants

## TECHNICAL DETAILS

- Highly resistant structure

## PUMP TECHNICAL DATA

- Maximum working pressure: 10 bar
- Temperature of the liquid:
  - 10°C ÷ +90°C
  - 10°C ÷ +110°C
  - 20°C ÷ +120°C

## MOTOR TECHNICAL DATA

- High efficiency motors
  - IE1-2 starting
  - IE3 starting
- Self-ventilated 2 and 4 poles asynchronous motor
- Class of insulation F
- IP 55 protection degree

## MATERIALS

- Pump casing and casing cover in:
  - AISI 304 for

32-125/160/200

40-125/160/200

50-125/160/200

65-125

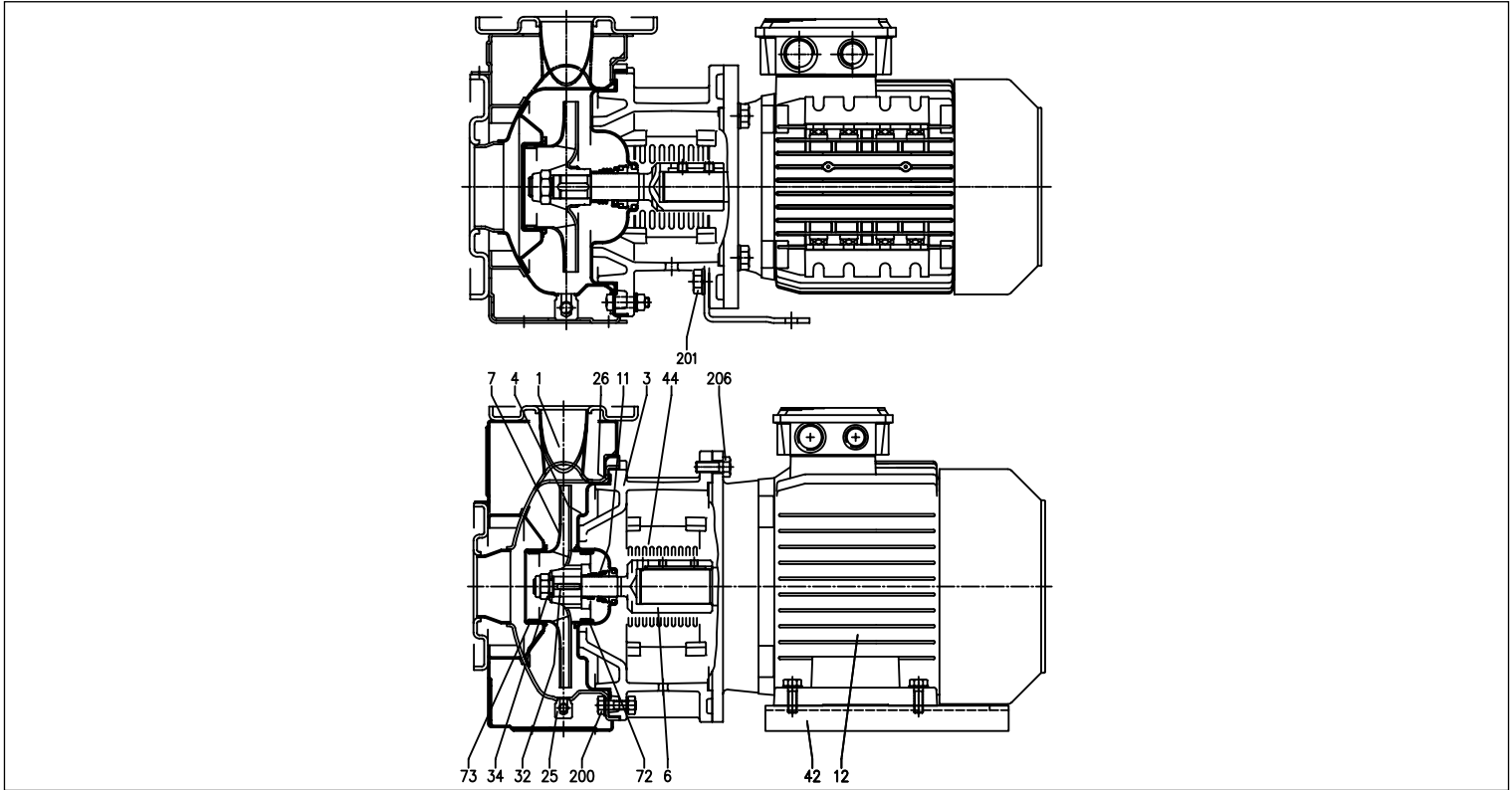
- Mechanical seal standard in:
  - Carbon/Ceramic/NBR
  - Silicon Carbide/Silicon Carbide/FKM
  - special mechanical seals available



# JH SERIES

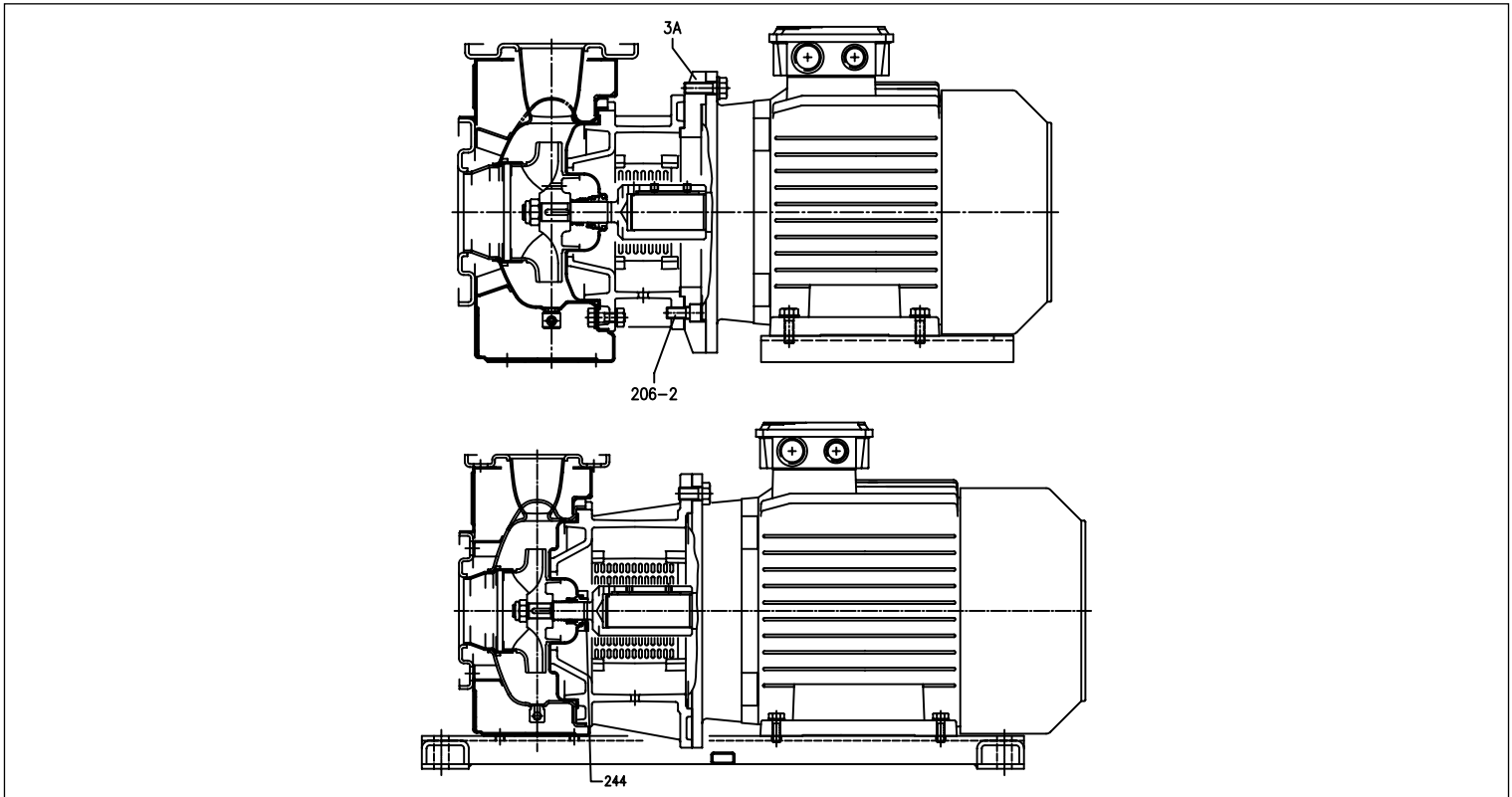
SECTIONAL VIEW 32, 40, 50 SERIES

2 Poles



SECTIONAL VIEW 65 SERIES

2 Poles

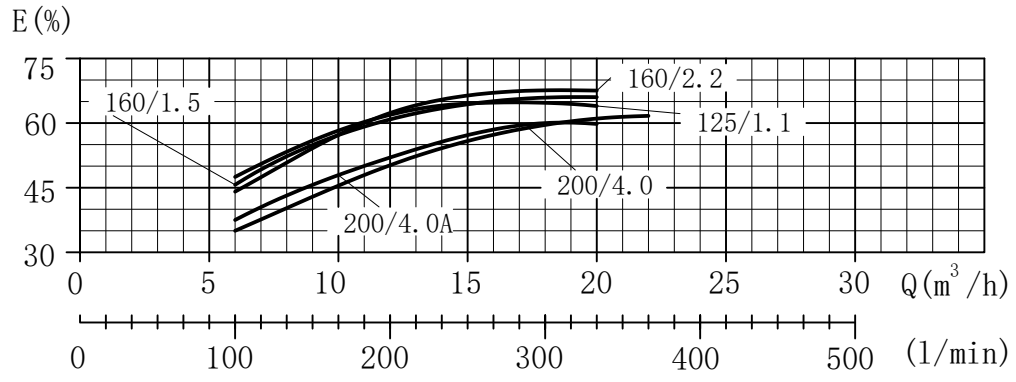
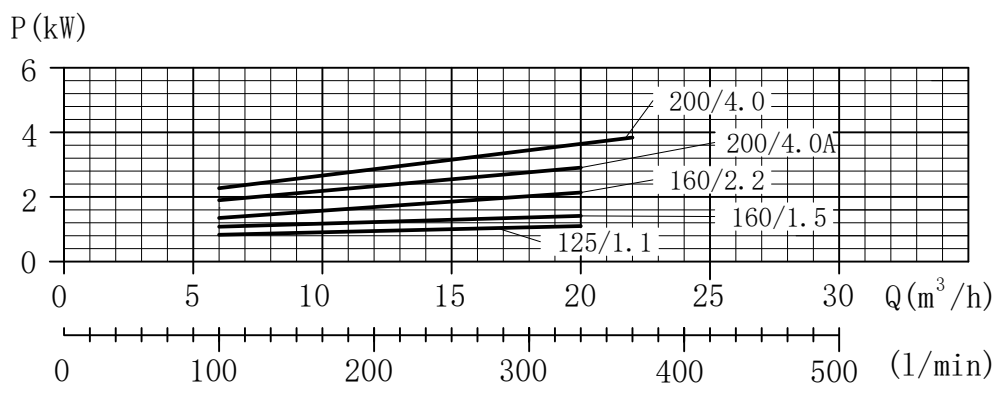
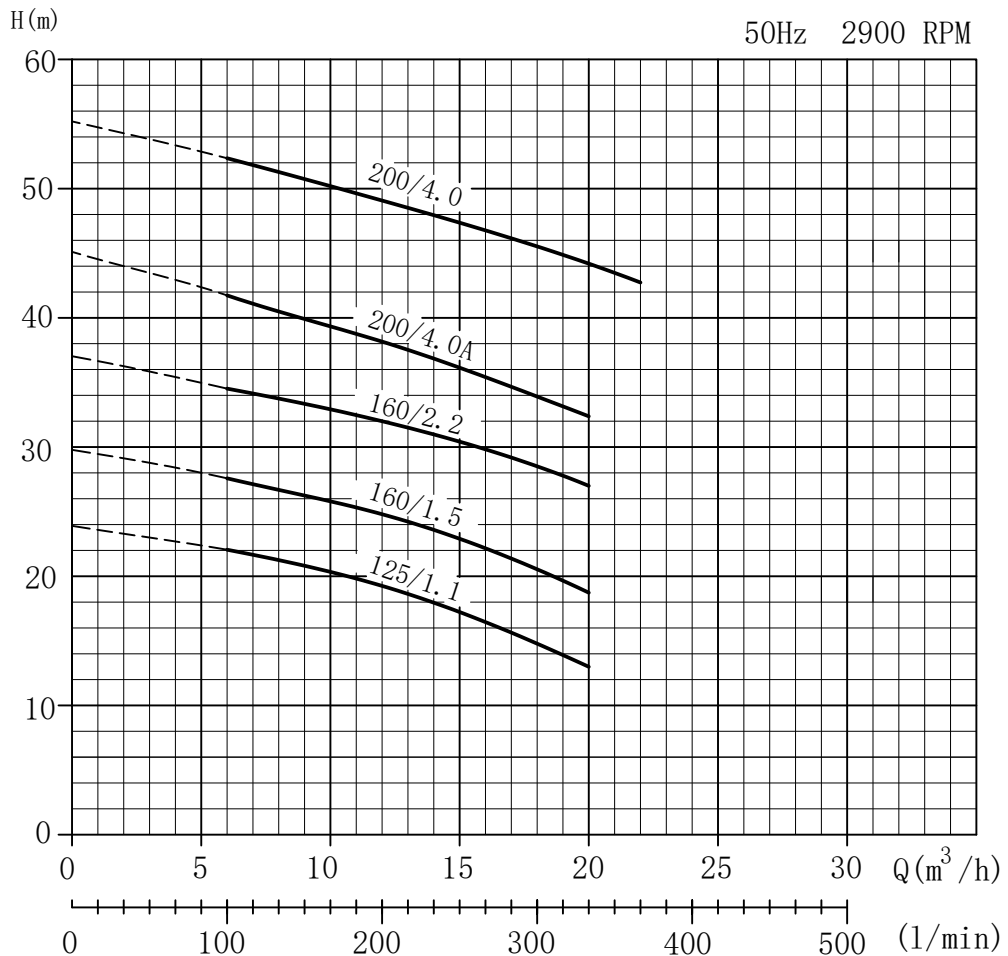


# JH SERIES

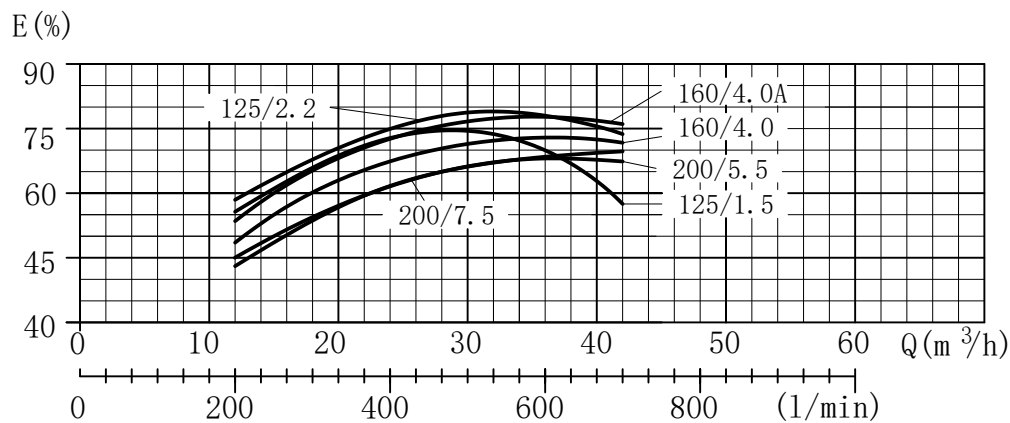
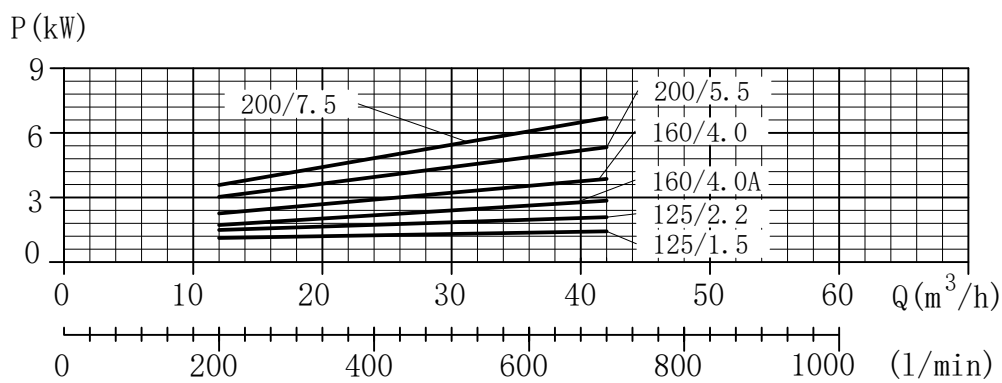
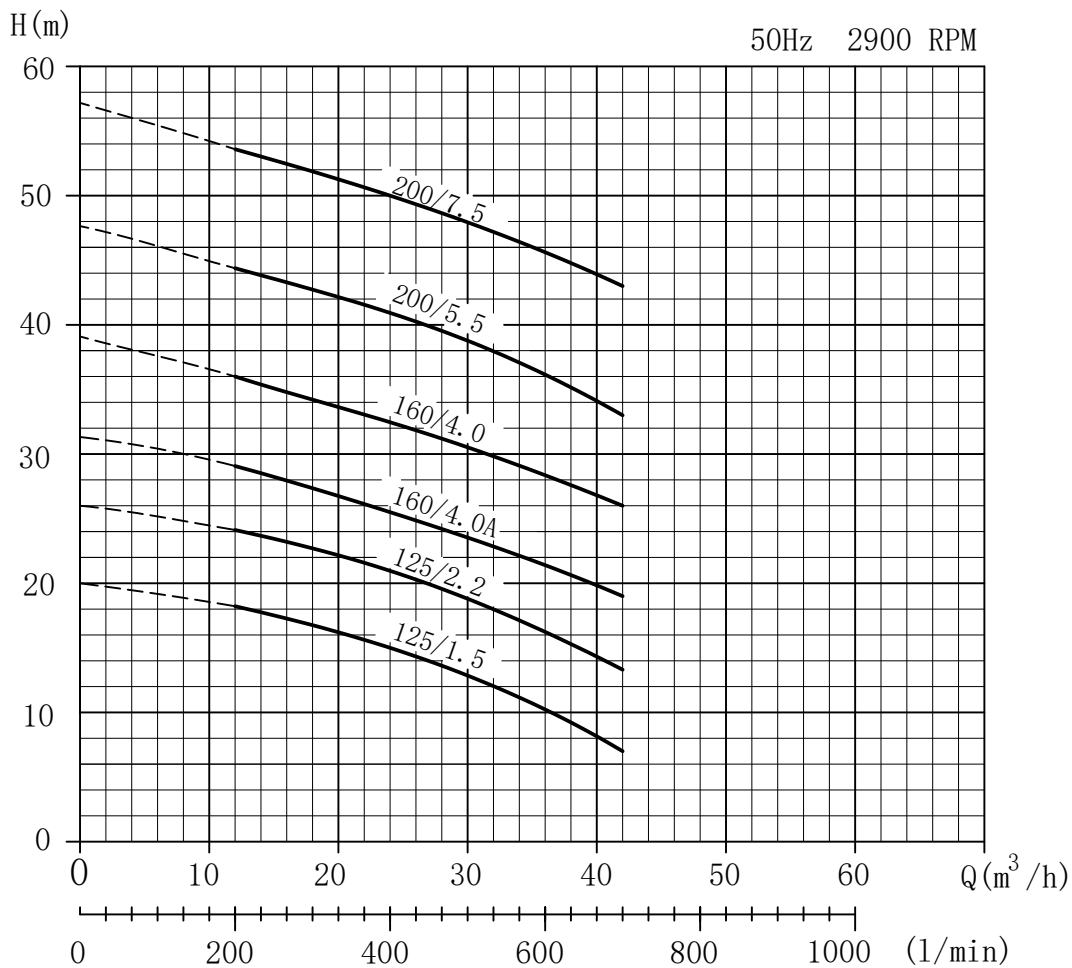
## MATERIALS TABLE

Ref.	Name	304 SS		Materials
001	Pump casing	EN 1.4301 (AISI 304)		
003	Motor bracket			Cast iron EN-GJL-200-EN 1561
003A	Adapter ring [1]			Cast iron EN-GJL-200-EN 1561
004	Casing cover	EN 1.4301 (AISI 304)		
006	Shaft- Part in contact with the liquid	EN 1.4301 (AISI 304)		
007	Impeller	EN 1.4301 (AISI 304)		
011	Mechanical seal	Carbon/Ceramic/NBR		
012	Motor			-
025	Plug			EN 1.4401 (AISI 304) / PTFE
026	O-Ring	NBR		
032	Key			EN 1.4401 (AISI 304)
034	Impeller nut	EN 1.4301 (AISI 304)		
042	Motor support			Aluminium / Galvanised steel
044	Support protection			EN 1.4301 (AISI 304)
072	Casing ring [2]	EN 1.4301 (AISI 304)		
073	Casing ring (not for 65)	EN 1.4301 (AISI 304)		
200	Screw (pump body)			Stainless steel A2 70 class ISO 3506/1
201	Screw			Galvanised steel
206	Support screw			Galvanised steel
206-2	Adapter ring screw			Galvanised steel
244	Plug [3]	-		EN 1.4301 (AISI 304)

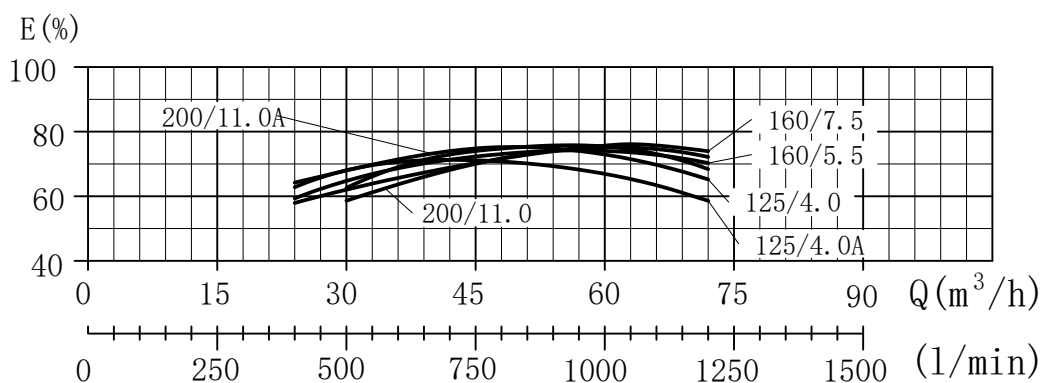
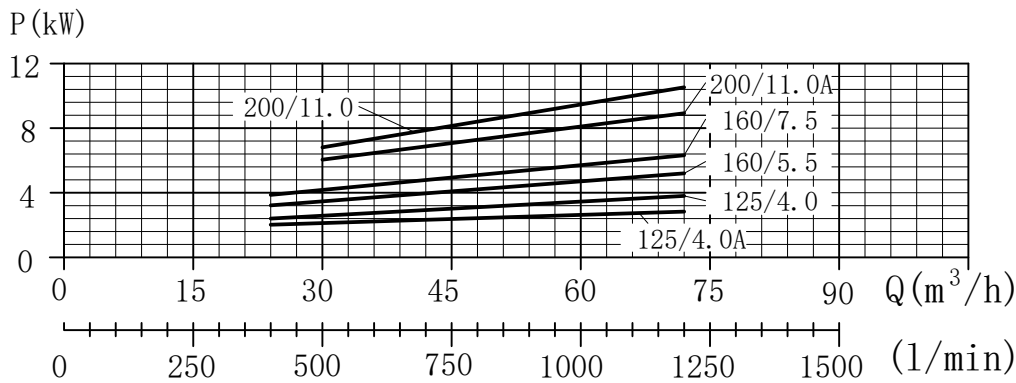
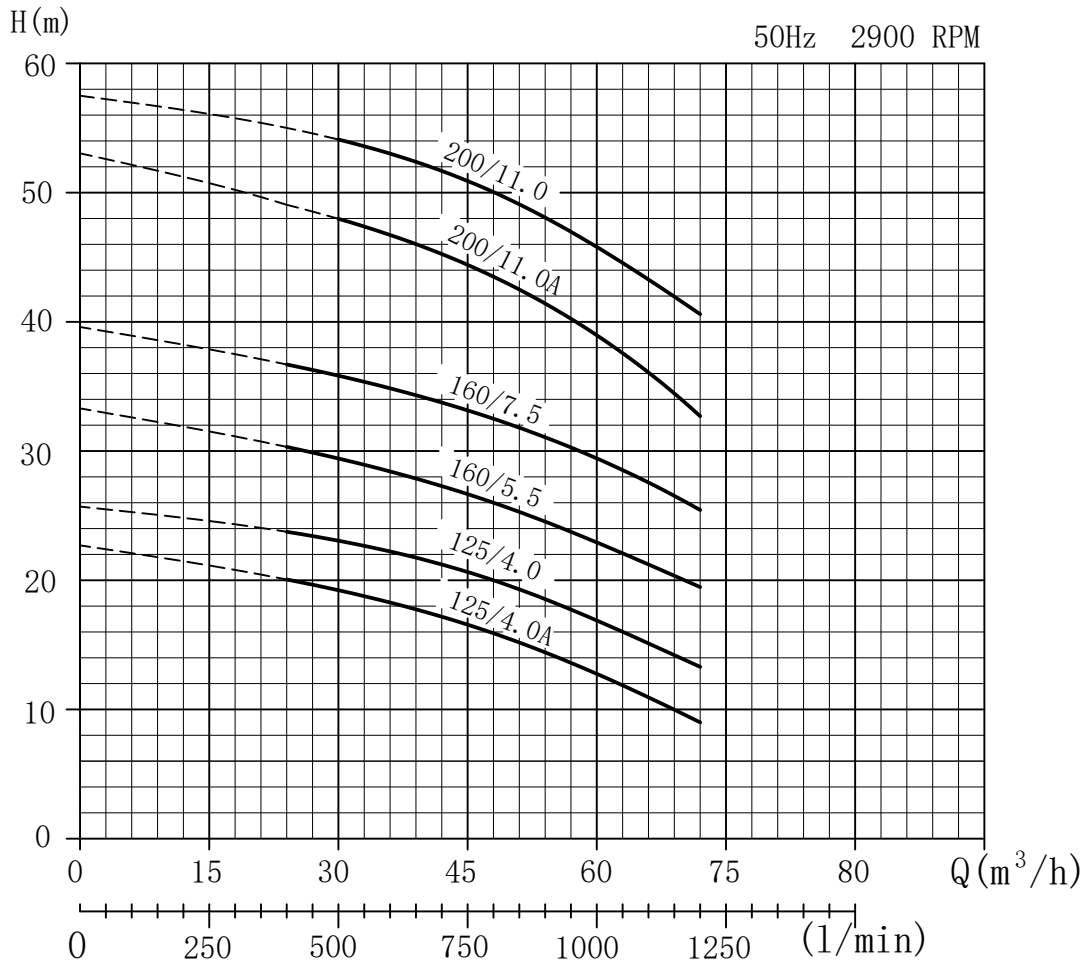
# JH 32 SERIES



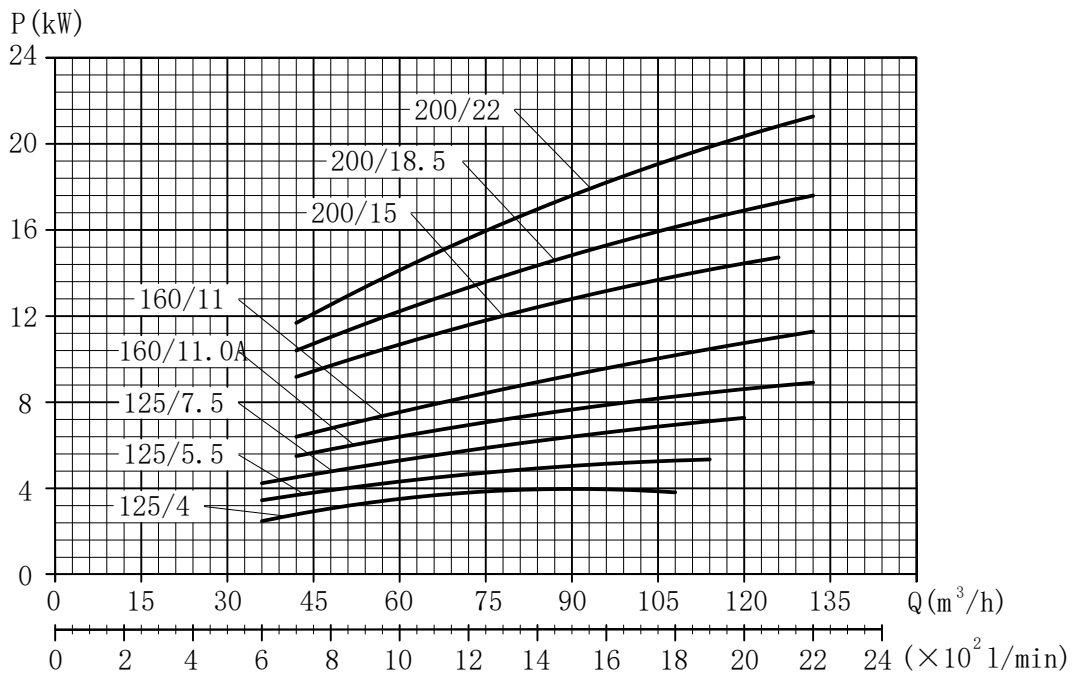
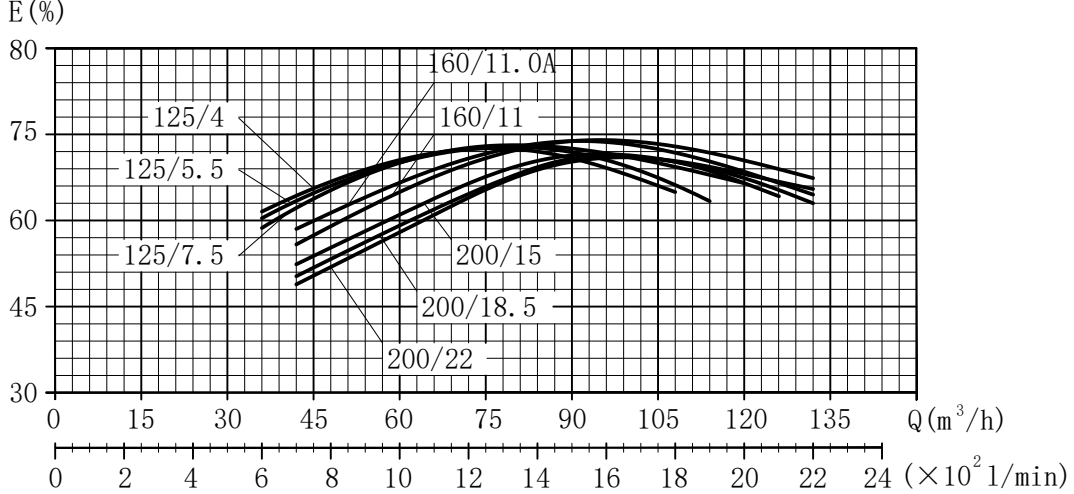
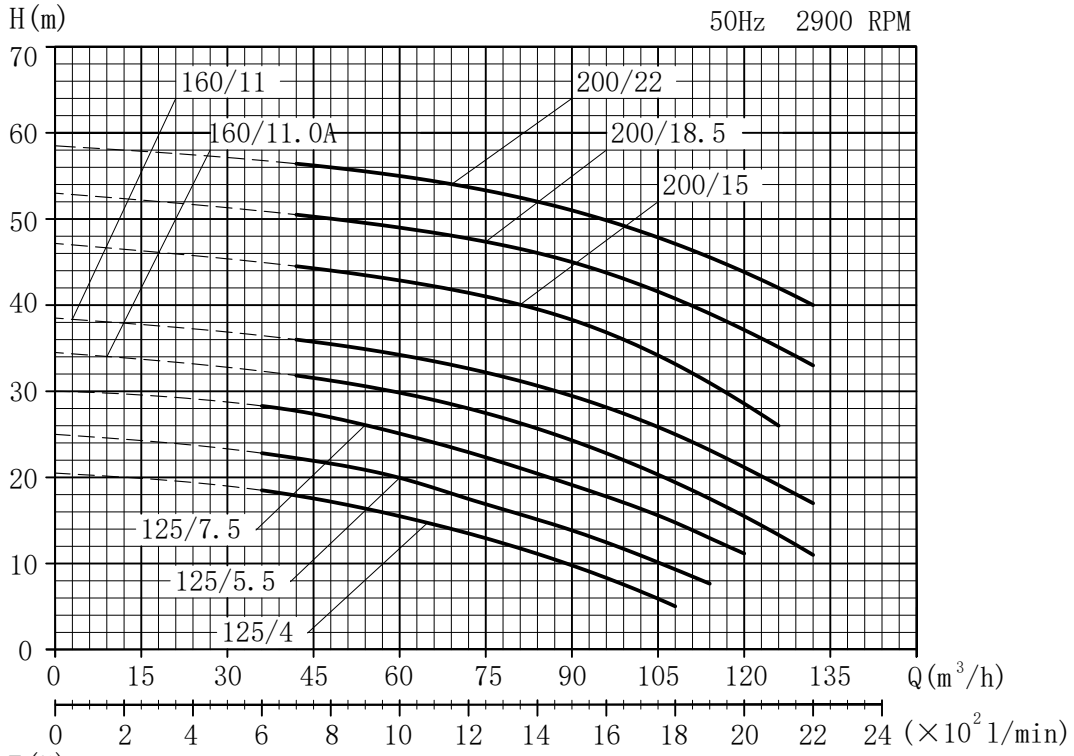
# JH 40 SERIES



# JH 50 SERIES



# JH 65 SERIES



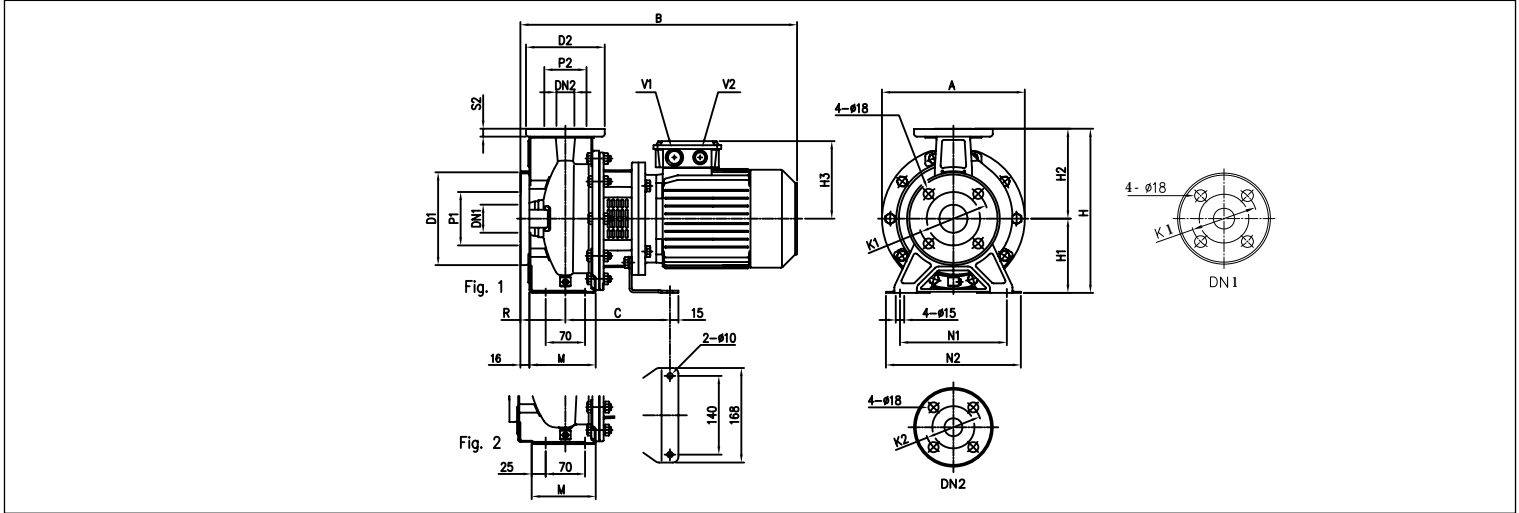
# JH SERIES

## CENTRIFUGAL ELECTRIC PUMPS STANDARDISED IN COMPLIANCE WITH EN

733

32, 40, 50 - up to 2.2 kW

2 Poles

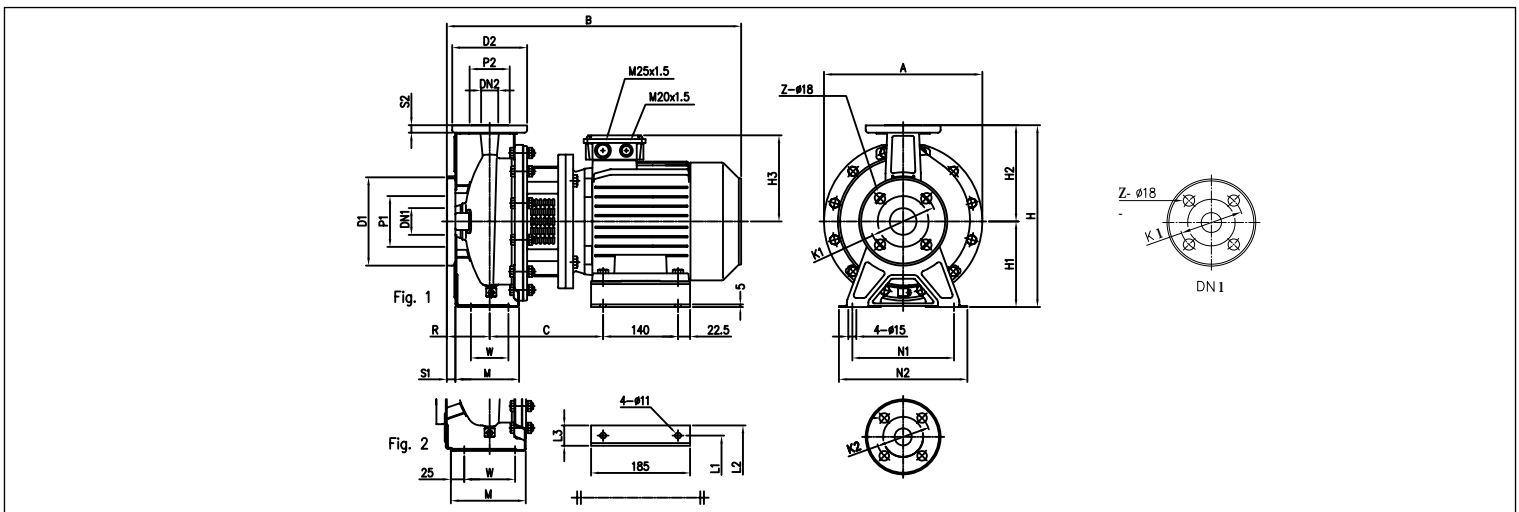


### DIMENSIONAL TABLE

Model	DN1 Ø	P1 Ø	K1 Ø	D1 Ø	DN2 Ø	P2 Ø	K2 Ø	D2 Ø	S2	Fig.	Dimensions [mm]							Weight [kg]							
											H	H1	H2	H3	R	M	N1	N2	A	B	C	V1	V2	*	
32-125/1.1	50	90	125	165	32	75	100	140	14	1	252	112	140	139	80	114	140	190	209	430	174	M25x 1.5	M20x1.5	23.1	24.7
32-160/1.5	50	90	125	165	32	75	100	140	14	1	292	132	160	148	80	118	190	240	244	477	186	M25x 1.5	M20x1.5	29.8	29.8
32-160/2.2	50	90	125	165	32	75	100	140	14	1	292	132	160	148	80	118	190	240	244	477	186	M25x 1.5	M20x1.5	32.4	32.4
40-125/1.5	65	110	145	185	40	80	110	150	14	1	252	112	140	148	80	114	160	210	209	477	186	M25x 1.5	M20x1.5	26.5	26.5
40-125/2.2	65	110	145	185	40	80	110	150	14	1	252	112	140	148	80	114	160	210	209	477	186	M25x 1.5	M20x1.5	29.6	29.6

32, 65 - 4 kW

2 Poles



### DIMENSIONAL TABLE

Model	DN1 Ø	P1 Ø	K1 Ø	D1 Ø	S1	Z		DN2 Ø	P2 Ø	K2 Ø	D2 Ø	S2	Fig.	Dimensions [mm]							Weight [kg]									
						[1]	[2]							H	H1	H2	H3	R	W	M	N1	N2	A	B	C	L1	L2	L3	*	
32-200/4.0A	50	90	125	165	16	4	-	32	75	100	140	14	1	340	160	180	171	80	70	119	190	240	295	550	212	190	228	38	49	49
32-200/4.0	50	90	125	165	16	4	-	32	75	100	140	14	1	340	160	180	171	80	70	119	190	240	295	550	212	190	228	38	49	49
65-125/4.0	80	125	160	200	18	4	4	65	110	145	185	16	2	340	160	180	171	100	95	140	212	280	245	570	212	190	228	38	50.1	50.1

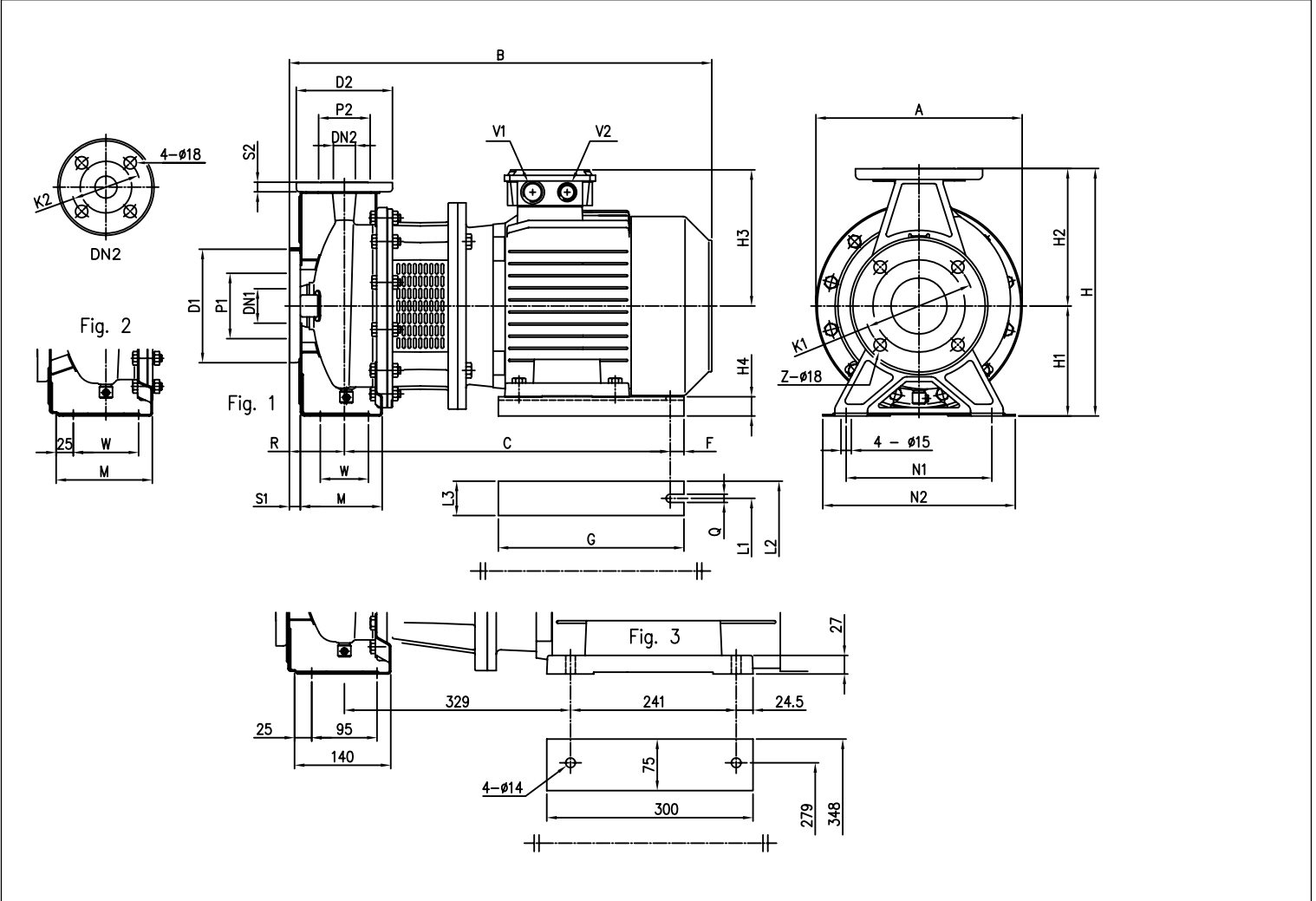
# JH SERIES

## CENTRIFUGAL ELECTRIC PUMPS STANDARDISED IN COMPLIANCE WITH EN

733

32, 40, 50, 65

2 Poles



**DIMENSIONAL TABLE**

Model	Dimensions [mm]																											Weight [kg]											
	DN1 Ø	P1 Ø	K1 Ø	D1 Ø	S1	Z [1] [2]	DN2 Ø	P2 Ø	K2 Ø	D2 Ø	S2	Fig.	H	H1	H2	H3	H4	R	W	M	N1	N2	A	B	C	F	G	Q	L1	L2	L3	V1	V2	Weight [kg]	*				
32-200/5.5	50	90	125	165	16	4	4	32	75	100	140	14	1	340	160	180	198	28	80	70	119	190	240	295	607	479	15	270	12	216	266	50	M32x1.5	M32x1.5	71.8	71.8			
32-200/7.5	50	90	125	165	16	4	4	32	75	100	140	14	1	340	160	180	198	28	80	70	119	190	240	295	607	479	15	270	12	216	266	50	M32x1.5	M32x1.5	-	87.0			
40-160/4.0A	65	110	145	185	16	4	4	40	80	110	150	14	1	292	132	160	155	32	80	70	118	190	240	244	528	388	15	220	12	160	200	40	M25x1.5	M20x1.5	42.5	42.5			
40-160/4.0	65	110	145	185	16	4	4	40	80	110	150	14	1	292	132	160	171	20	80	70	118	190	240	244	550	395	15	220	12	190	240	50	M25x1.5	M20x1.5	44.6	44.6			
40-200/5.5	65	110	145	185	16	4	4	40	80	110	150	14	2	340	160	180	198	28	100	70	115	212	265	300	627	479	15	270	12	216	266	50	M32x1.5	M32x1.5	72.2	72.2			
40-200/7.5	65	110	145	185	16	4	4	40	80	110	150	14	2	340	160	180	198	28	100	70	115	212	265	300	627	479	15	270	12	216	266	50	M32x1.5	M32x1.5	-	82.0			
50-125/4.0A	65	110	145	185	16	4	4	50	90	125	165	16	2	292	132	160	155	32	100	70	114	190	240	250	548	388	15	220	12	160	200	40	M25x1.5	M20x1.5	35.5	35.5			
50-125/4.0	65	110	145	185	16	4	4	50	90	125	165	16	2	292	132	160	171	20	100	70	114	190	240	250	570	395	15	220	12	190	240	50	M25x1.5	M20x1.5	45.6	45.6			
50-160/5.5	65	110	145	185	16	4	4	50	90	125	165	16	2	340	160	180	198	28	100	70	115	212	265	300	627	479	15	270	12	216	266	50	M32x1.5	M32x1.5	63.8	63.8			
50-160/7.5	65	110	145	185	16	4	4	50	90	125	165	16	2	340	160	180	198	28	100	70	115	212	265	300	627	479	15	270	12	216	266	50	M32x1.5	M32x1.5	-	91.0			
50-200/11.0	65	110	145	185	16	4	4	50	90	125	165	16	2	360	160	200	198	28	100	70	115	212	265	300	667	479	15	270	12	216	266	50	M32x1.5	M32x1.5	-	90.7			
65-125/5.5	80	125	160	200	18	4	4	65	115	145	185	16	2	340	160	180	198	28	100	95	140	212	280	245	627	479	15	270	12	216	266	50	M32x1.5	M32x1.5	60.0	60.0			
65-125/7.5	80	125	160	200	18	4	4	65	115	145	185	16	2	340	160	180	198	28	100	95	140	212	280	245	627	479	15	270	12	216	266	50	M32x1.5	M32x1.5	-	79.4			
65-160/11.0A	80	125	160	200	18	4	4	65	115	145	185	16	2	360	160	200	198	28	100	95	140	212	280	300	627	479	15	270	12	216	266	50	M32x1.5	M32x1.5	-	82.4			
65-160/11.0	80	125	160	200	18	4	4	65	115	145	185	16	2	360	160	200	198	28	100	95	140	212	280	300	667	479	15	270	12	216	266	50	M32x1.5	M32x1.5	-	88.0			
65-200/15	80	125	160	200	18	4	4	65	115	145	185	16	2	405	180	225	238	20	100	95	140	250	320	300	806	621	20	350	14	254	314	60	M40x1.5	M40x1.5	-	138.0			
65-200/18.5	80	125	160	200	18	4	4	65	115	145	185	16	2	405	180	225	238	20	100	95	140	250	320	300	850	621	20	350	14	254	314	60	M40x1.5	M40x1.5	-	137.2			
65-200/22	80	125	160	200	18	4	4	65	115	145	185	16	3	405	180	225	268	-	100	-	-	250	320	300	885	-	-	-	-	-	-	-	-	-	-	M32x1.5	M32x1.5	-	175.0

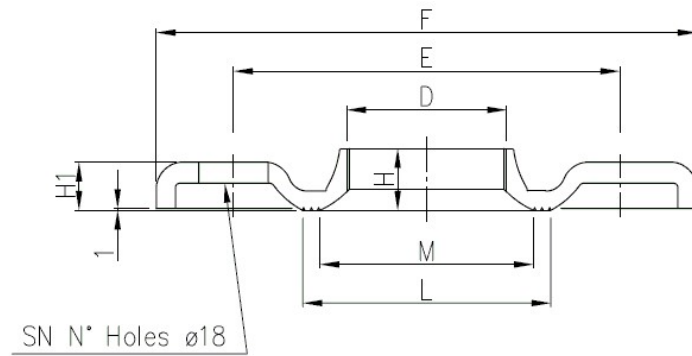
# CENTRIFUGAL PUMPS

## CONSTRUCTION

### FITTINGS DIN 2542 PN10

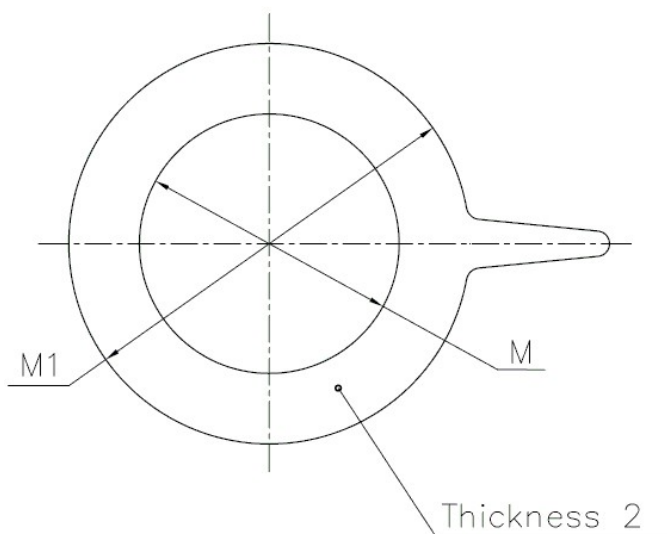
#### FLANGE

#### COUNTERFLANGE ZINCKED



DN	D	Counterflange							Screw	
		E	F	H	H1	L	M	SN	DIMENSIONS	MATERIAL
32	G 1 1/4	100	140	15	11.5	67	50	4	M16x55	Gv. Steel 8.8 streight class ISO 898-1
40	G 1 1/2	110	150	17.5	11.5	72	58	4		
50	G2	125	165	19	15	89	70	4		
65	G 2 1/2	145	185	23	14	104	88	4		
80	G3	160	200	24	16	117.5	100	4	M16x60	
100	G4	180	220			148	108	8		

#### GASKET



DN	M	M1
32	38	82
40	50	93
50	60	107
65	80	125
80	90	140
100	115	160