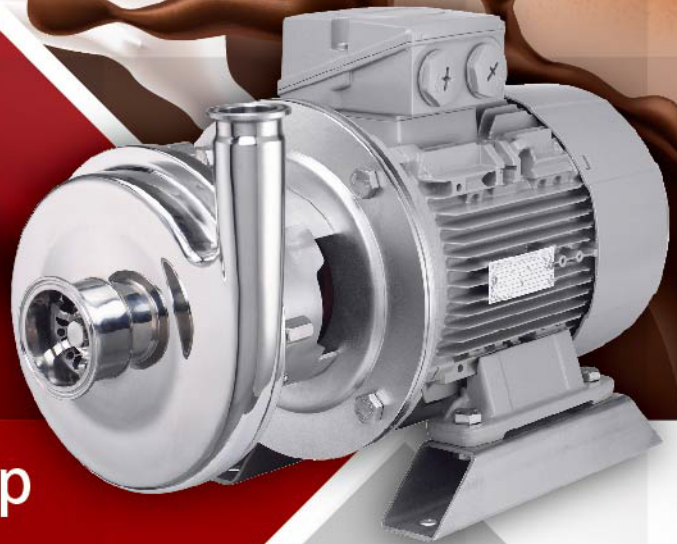




JSP Sanitary

In-Line high shear pump



Application

The JSP high shear mixer perform blend, dissolve, disperse and emulsify both miscible and immiscible fluids. Its in-line mixer featuring a dual stage, tandem heads design combining the benefits of It is a versatile product that is specifically designed for use within the sanitary markets such as : minimizing oil droplets in water for any oil and water mixtures, or it can also easily disperse any powders that tend to form clumps.



Working Principle

A dual stage, tandem head design combining the benefits of both an axial and a radial stage which creating excellent shear and flow characteristics.

The Primary Axial Stage :

This mechanical and hydraulic action causes a shearing action and "pre-mixes" the materials prior to entry into the secondary stage. Particle and droplet size reduction of down are typical in this stage.

The Secondary Radial Stage:

high flow rotor discharging through a slotted stator providing additional mechanical and hydraulic shear. The centrifugal force allows for the mixture to be pushed away from the shaft and along the radius of the stator, with high speed expulsion occurring at the edge of the slots. This stage provides for further refining to be done on the mixture.

JSP Sanitary In-Line high shear pump



Beverages

- ◆ Fruit Concentrates
- ◆ Orange Juice
- ◆ Soft Drinks
- ◆ Tomato Juice

Canned/Bottled Goods

- ◆ Chocolate Syrups
- ◆ Liquid Sugars
- ◆ Cocoa Powder

Condiments/Dressings

- ◆ Flavorings
- ◆ Ketchup
- ◆ Mayonnaise Mustard
- ◆ Salad Dressing Sauces
- ◆ Seasonings Vegetable Oils

Dairy Products

- ◆ Cheese (Processed)
- ◆ Cream Cheese
- ◆ Cream Fillings
- ◆ Ice Cream
- ◆ Margarine
- ◆ Sweetened Condensed Milk

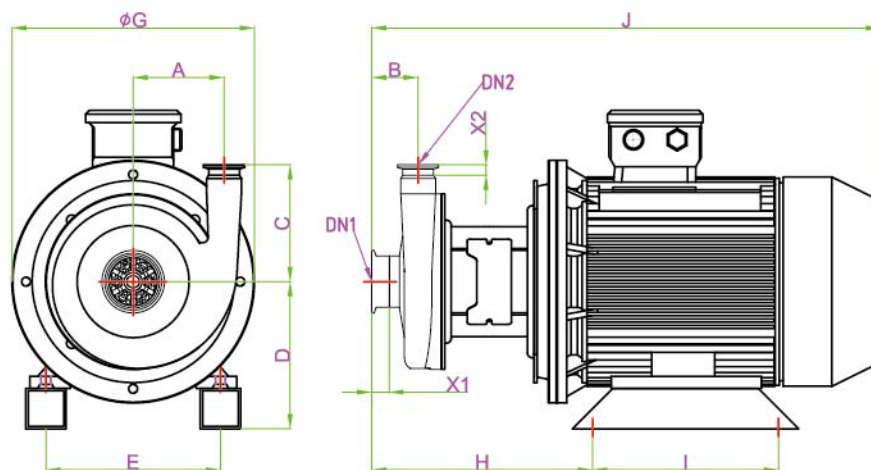


Benefits

- Greater efficiency
- Axial & Radial technology
- A single pass provide product of multiple pass within conventional mixers

Dimensions X1, X2

Model	DN1	DN2	DIN 11851		SMS		Tri-Clamp		IDF	
			X1	X2	X1	X2	X1	X2	X1	X2
JSP 40-140	2.5"	1.5"	35	32	23	23	13	12.7	22	22
JSP 40-170W ₄	2.5"	2"	35	32	23	23	13	12.7	22	22



Dimensions

Model	KW	Motor	DN1	DN2	A	B	C	D	E	F	G	H	I	J
JSP 40-140	4	112	2.5"	1.5"	72	56	115	162	190	13	250	227	230	536
	5.5	112	2.5"	1.5"	72	56	115	162	190	13	250	227	230	562
JSP 40-170W ₄	7.5	132	2.5"	2"	113	58	145	182	216	13	300	270	230	638
	11	132	2.5"	2"	113	58	145	192	216	16	300	270	286	678
	15	160	2.5"	2"	113	58	145	210	254	16	300	333	318	786