



**Operating Limits**

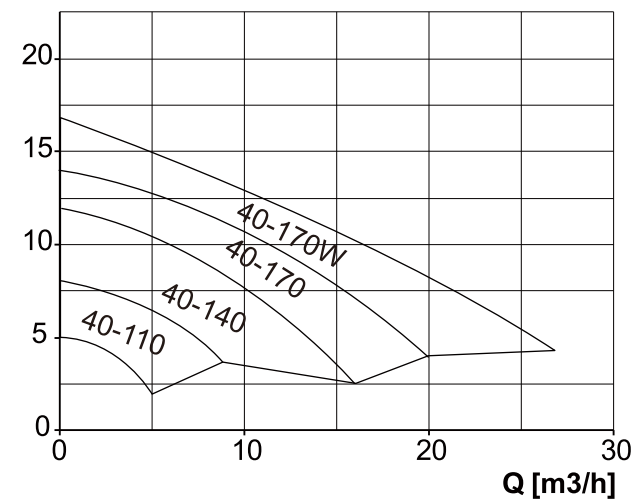
Max. Temperature	120°C
Max. Discharge Pressure	55 m <sup>3</sup> /hr
Max. Flow	67 M
Max. Speed	3500 RPM

**Option**

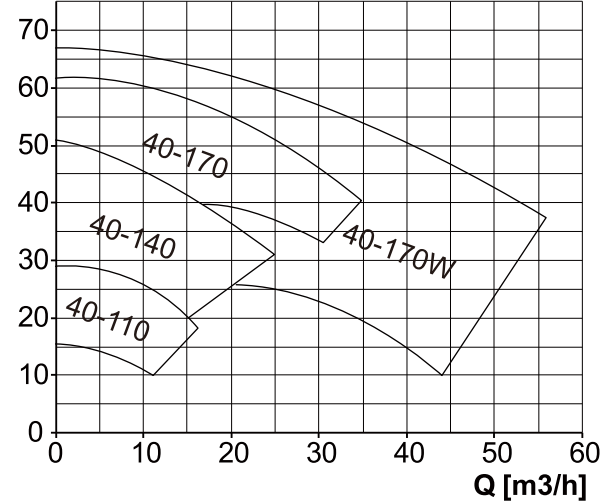
Connection	DIN11851 , IDF , SMS
Gasket	FKM, NBR
Mechanical Seal	single, double other material upon request

**Performance Curve**

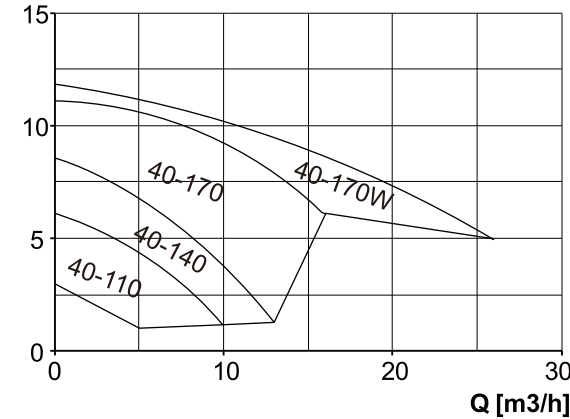
**1750 RPM**  
H [m]



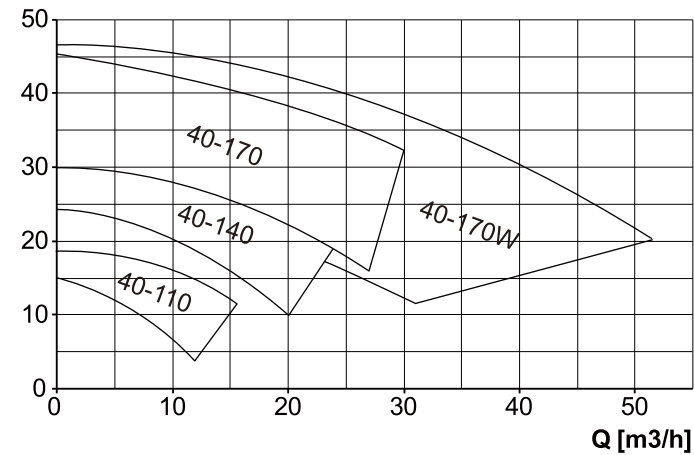
**3500 RPM**  
H [m]



**1450 RPM**  
H [m]

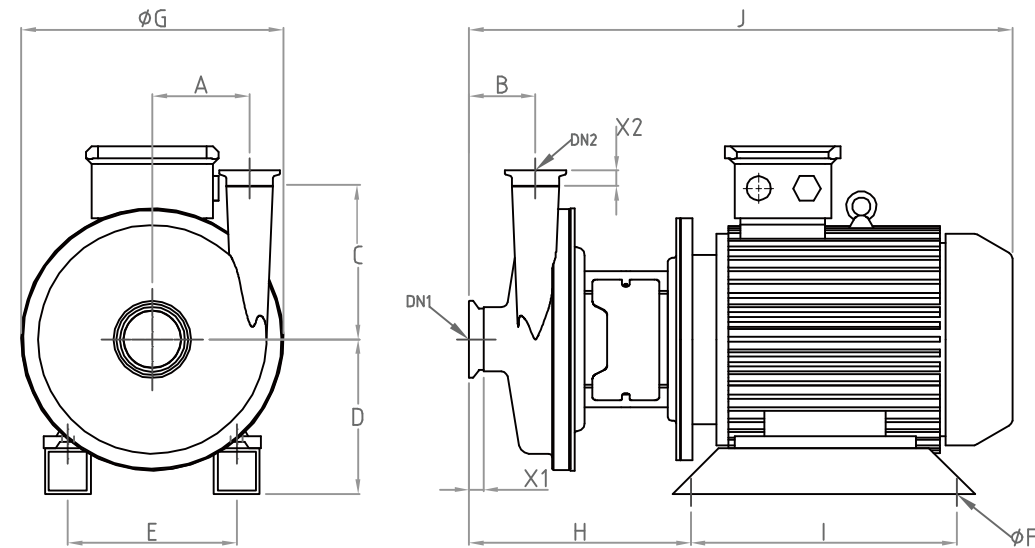


**2900 RPM**  
H [m]



**Dimensions X1 , X2**

Model	DN <sub>1</sub>	DN <sub>2</sub>	DIN 11851		SMS		Tri-Clamp		IDF	
			X <sub>1</sub>	X <sub>2</sub>	X <sub>1</sub>	X <sub>2</sub>	X <sub>1</sub>	X <sub>2</sub>	X <sub>1</sub>	X <sub>2</sub>
JC 40-110	1.5"	1.5"	33	33	23	23	12.7	12.7	21.5	21.5
JC 40-140	1.5"	1.5"	33	33	23	23	10.9	12.7	21.5	21.5
JC 40-170	2.0"	1.5"	35	33	23	23	12.7	12.7	21.5	21.5
JC 40-170W	2.0"	1.5"	35	33	23	23	12.7	12.7	21.5	21.5



**Dimensions**

Model	KW	Motor	DN <sub>1</sub>	DN <sub>2</sub>	A	B	C	D	E	F	G	H	I	J
JC 40-110	0.75	80	1.5"	1.5"	54	49	103	138	125	14	200	143.3	236	406
	1.5	90	1.5"	1.5"	54	49	103	138	140	14	200	149.3	236	415
	2.2	90	1.5"	1.5"	54	49	103	138	140	14	200	149.3	236	440
	3.0	90	1.5"	1.5"	54	49	103	138	140	14	200	149.3	236	440
JC 40-140	1.5	90	1.5"	1.5"	72	36	102	138	140	14	200	140.3	236	401
	2.2	90	1.5"	1.5"	72	36	102	138	140	14	200	140.3	236	426
	3.0	90	1.5"	1.5"	72	36	102	138	140	14	200	140.3	236	426
JC 40-170	2.2	90	2.0"	1.5"	81	42	127	138	140	14	217	149.3	236	440
	3.0	90	2.0"	1.5"	81	42	127	138	140	14	217	149.3	236	440
	4.0	112	2.0"	1.5"	81	42	127	162	190	14	250	175	270	514
	5.5	112	2.0"	1.5"	81	42	127	162	190	14	250	175	270	524
	5.5	132	2.0"	1.5"	81	42	127	192	216	16	300	203.5	335	597
JC 40-170W	7.5	132	2.0"	1.5"	81	42	127	192	216	16	300	203.5	335	597
	2.2	90	2.0"	1.5"	113	41	132	138	140	14	217	148.35	236	439
	3.0	90	2.0"	1.5"	113	41	132	138	140	14	217	148.35	236	439
	4.0	112	2.0"	1.5"	113	41	132	162	190	14	250	174	270	523
	5.5	112	2.0"	1.5"	113	41	132	162	190	14	250	174	270	523
JC 40-170W	5.5	132	2.0"	1.5"	113	41	132	192	216	16	300	202.5	335	596
	7.5	132	2.0"	1.5"	113	41	132	192	216	16	300	202.5	335	596

