



I Application

The 800X series multitooth mixers are employed in the applications requiring high shear for achieving a thorough emulsification. Until now mills and homogenisers have been used for production of high quality emulsions. The 800X series mixers achieve similar results and present a more hygienic solution at a lower price. Among the products that can be prepared with this mixer there are mayonnaises, high quality body care products, pharmaceutical and veterinary solutions.

I Operating principle

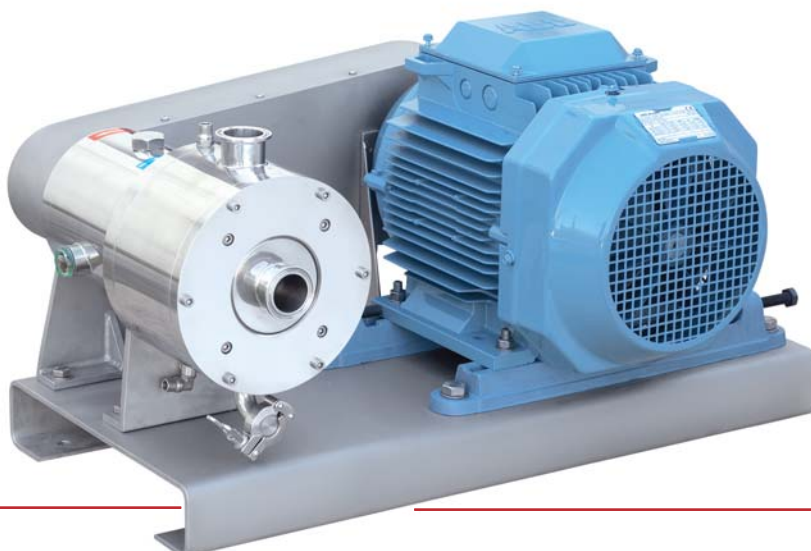
The traditional rotor/stator mixers produce point shear at the moment the rotor drives the product through the slots of the stator, and the 800X series mixers are made up of many concentric rows of teeth. The product enters through the centre of the mixer and moves outward through the radial channels between the rotor/stator teeth. Tolerances are very close, and the tip speed (up to 50 m/s) and the shear rates are very high.

I Design and features

- High shear. Particle size reduction to less than 1 micrometer.
- Tip speed up to 50 m/s.
- Sealing system: sanitary single cooled mechanical seal.
- Adjustment of different tolerances between the rotor and stator.
- CIP compatible design.
- Standard connections: Clamp ISO-2852.
- Assembly with pulleys and belts.
- Clamp drain port.
- Motors: IEC B35, IP 55, F class insulation, 3000 rpm.

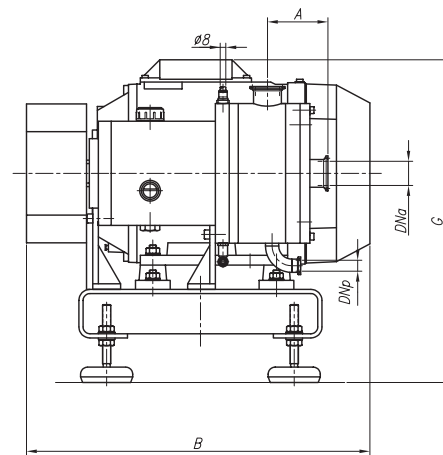
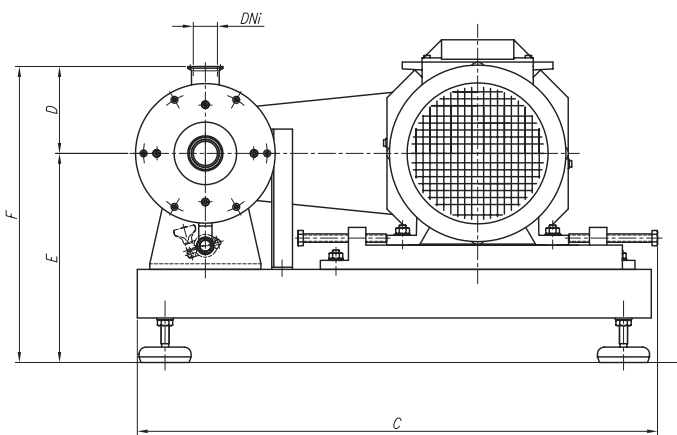
I Materials

Parts in contact with the media:	AISI 316L
Other steel parts:	AISI 304
Seal (standard):	C / SiC
Gaskets (standard):	EPDM
Surface finish:	electropolished, Ra 0.8



I Options

- Double mechanical seal.
- Other mechanical seal and gasket materials.
- Connections: DIN 11851, SMS, RJT, ...
- Motors with other protections.
- Speed adjustment: frequency converter or change of relation of pulleys.
- Electric panel.



Size	Motor kW	Speed max. rpm	Connections		Drain	A	B	C	D	E	F	G
			DNa	DNi	DNp							
ME - 875X	7,5	12000	1"	1"	½"	78	500	700	90	300	390	465
ME - 892X	9,2	6000	1½"	1½"	¾"	87	500	750	125	300	425	465



FTEFI.1.EN-0406